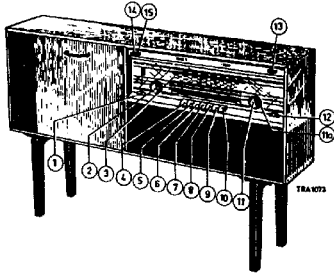


PHILIPS Service

RADIO

F6X32A/00/01/02/h6/h7/h9/54/66



- 1** Bass control
Lage tonenregelaar
Contrôle des graves R 54/65
Basregler
Control de bajas
- Volume control +
main switch
Volumeregelaar +
netschakelaar R 52/53
Contrôle de volume +
interrupteur de réseau
Leutstärkerregler +
Netschalter R 54/55
Control de volumen +
interruptor de red
- 3** Ferroceptor
Ferroceptor
Ferrocepteur
Ferroceptor
Ferroceptor S 9/10
- 4** Rapido Sound SK-A
- 5** FU-switch
FU-schakelaar
Commutateur de FU SK-B
TA-Schalter
Commutador de FU

- 6** LW-switch
LW-schakelaar
Commutateur de GO SK-C
LW-Schalter
Commutador de OL
- 7** Aerial switch
Antenneschakelaar
Commutateur d'antenne SK-G
Antennenschalter
Commutador de antena
- 8** MW-switch
MG-schakelaar
Commutateur de PO SK-D
MW-Schalter
Commutador de OM
- 9** SW2-switch
KQ2-schakelaar
Commutateur de OC2 SK-E
KQ2-Schalter
Commutador de OC2
- 10** FM-switch
FM-schakelaar
Commutateur de FM SK-F
KFM-Schalter
Commutador de FM

- 8** SW3-switch
KQ3-schakelaar
Commutateur de OC3 SK-D
- 9** KQ3-Schalter
Commutador de OC3 SK-E
- 11** Tuning
Afstemming c 7/8
Syntonisation
Abstimmung
Sintonía S205/206/207
- 12** Treble control
Hoge tonenregelaar R72/73
Contrôle de aigus
Höhenregler
Control de altas
- 13** Balance control
Balansregelaar R57
Contrôle de balance
Balancierregler
Control de balanceo
- 14** Stereo/mono switch
Stereo/monoschakelaar
Commutateur de Stéréo/mono SK-H
Stereo/Mono-Schalter
Commutador de estereo/mono
- 15** AFC SK-K

SPECIFICATION	SPECIFICATIE	SPECIFICACION	SPEZIFIKATION	ESPECIFICACION
Loudspeaker IP (AM) 2xAD 3800M (5 G) 452 kc/s 460 kc/s (/16/19/66)	Luidspreker MF (AM) 2xAD 3800M (5 G) 452 kc/s 460 kc/s (/16/19/66)	Haut-parleur MF (AM) 2xAD 3800M (5 G) 452 kc/s 460 kc/s (/16/19/66)	Leutsprecher ZF (AM) 2xAD 3800M (5 G) 452 kc/s 460 kc/s (/16/19/66)	Altavoz FI (AM) 2xAD 3800M (5 G) 452 kc/s 460 kc/s (/16/19/66)
IF (FM) 10,7 Mc/s	MF (FM) 10,7 Mc/s	FI (FM) 10,7 Mc/s	ZF (UEW) 10,7 Mc/s	FI (FM) 10,7 Mc/s
Main voltages 110-127-145-165 220-245 V	Netspanning 110-127-145-165 220-245 V	Tensiones de red 110-127-145-165 220-245 V	Netspanningen 110-127-145-165 220-245 V	Tensiones de red 110-127-145-165 220-245 V
Consumption (AM) 78 W	Verbruik (AM) 78 W	Tension de red 78 W	Verbrauch (AM) 78 W	Consumo (AM) 78 W
Consumption (FM) 81 W	Verbruik (FM) 81 W	Tension de red 81 W	Verbrauch (FM) 81 W	Consumo (FM) 81 W
Power output 2 x 2 W	Uitgangsver- mogen 2 x 2 W	Puissance 2 x 2 W	Anfangs- leistung 2 x 2 W	Potencia de salida 2 x 2 W
Dimensions 1085x706x252 mm	Afmetingen 1085x706x252 mm	Dimensiones 1085x706x252 mm	Abmessungen 1085x706x252 mm	Dimensiones 1085x706x252 mm
Record changer AG 1025W/03	Platenwissel- laar AG 1025W/04 (54)	Changeur des disques AG 1025W/04 (54)	Plattenwech- sler AG 1025W/04 (54)	Cambia-discos AG 1025W/04 (54)

Wave range - Golfgebieden - Gamme d'ondes - Wellenbereiche - Margenes de ondas

LW - LG - GO - LW - OL	: 2000 - 750	m	(150 - 400 kc/s)
MW - MG - PO - MW - OM	: 580 - 185	m	(517,2 - 1622 kc/s)
SW2 - KQ2 - OC2 - KW2 - OC2	: 50,8 - 16,5	m	(5,9 - 18,2 Mc/s)
SW3 - KQ3 - OC3 - KW3 - OC3	: 181,9 - 57,69	m	(1,65 - 5,2 Mc/s)
FM - FM - FM - UEW - FM	: 3,43 - 2,79	m	(87,5 - 108 Mc/s)

Valves - Buizen - Tubes - Röhren - Vakuüben

Transistors - Diodes

B1 - EC085	B7 - EM87	B1 - AF126	T56 - AC127
B2 - EC881	B8 - EC083	T52 - AF126	
B3 - EF89	B9 - ECL86	T53 - AF126	GR1+6, 8 - AA119
B4 - EF183	B10 - ECL86	T54 - AC125	GR7, 7a, 9 - OA200
	B11 - EZ81	T55 - AC125	GR11+15 - OA85

SERVICE INFORMATION									

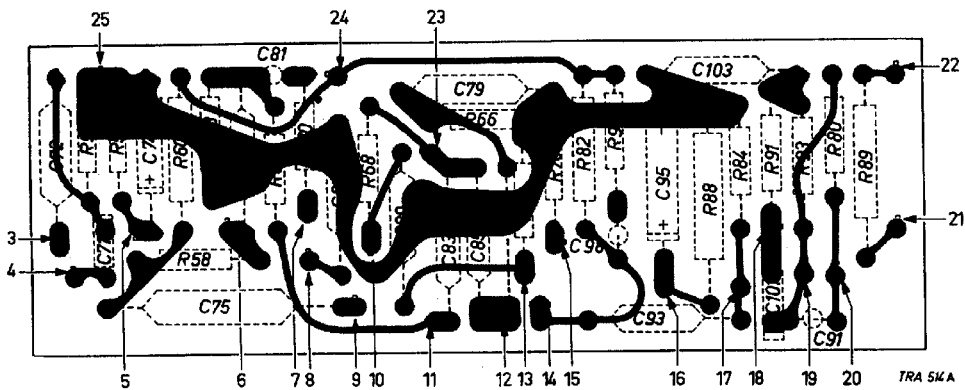
TL/GB

Copyright Central Service N.V. PHILIPS' GLOEILAMPENFABRIEKEN, Eindhoven
Confidential information for Philips Service Dealers

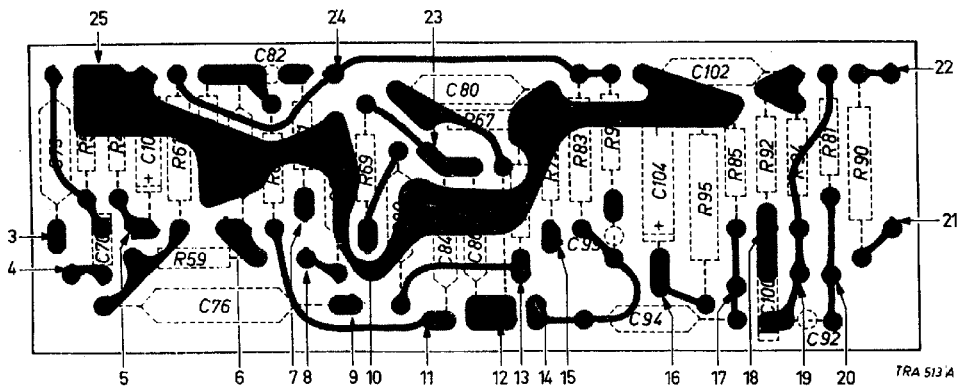
93 741 23-2-90

Printed in Holland

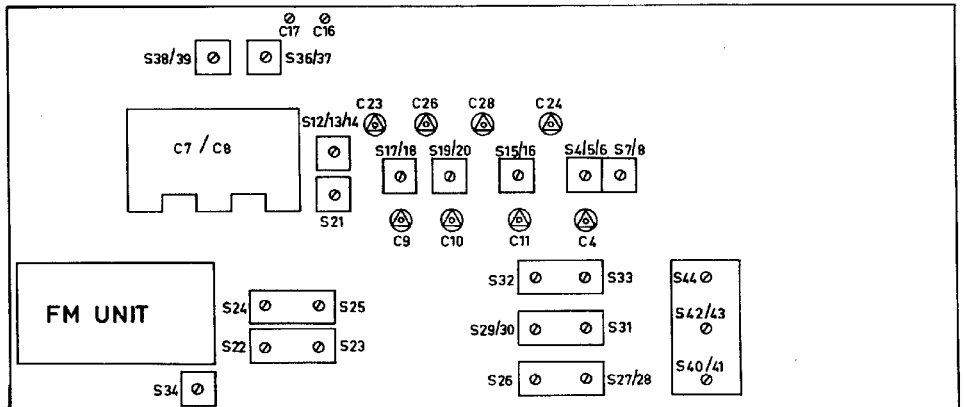
R	50.	56.	60.58.98.	62.	70.	68.	66.	76.	78.	82.	96.	88.	84.	91.	93.	80.	89.
C	72.	71.	74.	75.77.	81.	87.	89.	83.79.85.			98.	93.95.	103.	101.	91.		



R	51.	49.	61.59.99.	63.	71.	69.	67.	77.	79.	83.	97.	95.	85.	92.	94.	81.	90.
C	73.	70.	105.	76.	78.	82.	88.	90.	84.80.86.		99.	94.	104.	102.	100.	92.	



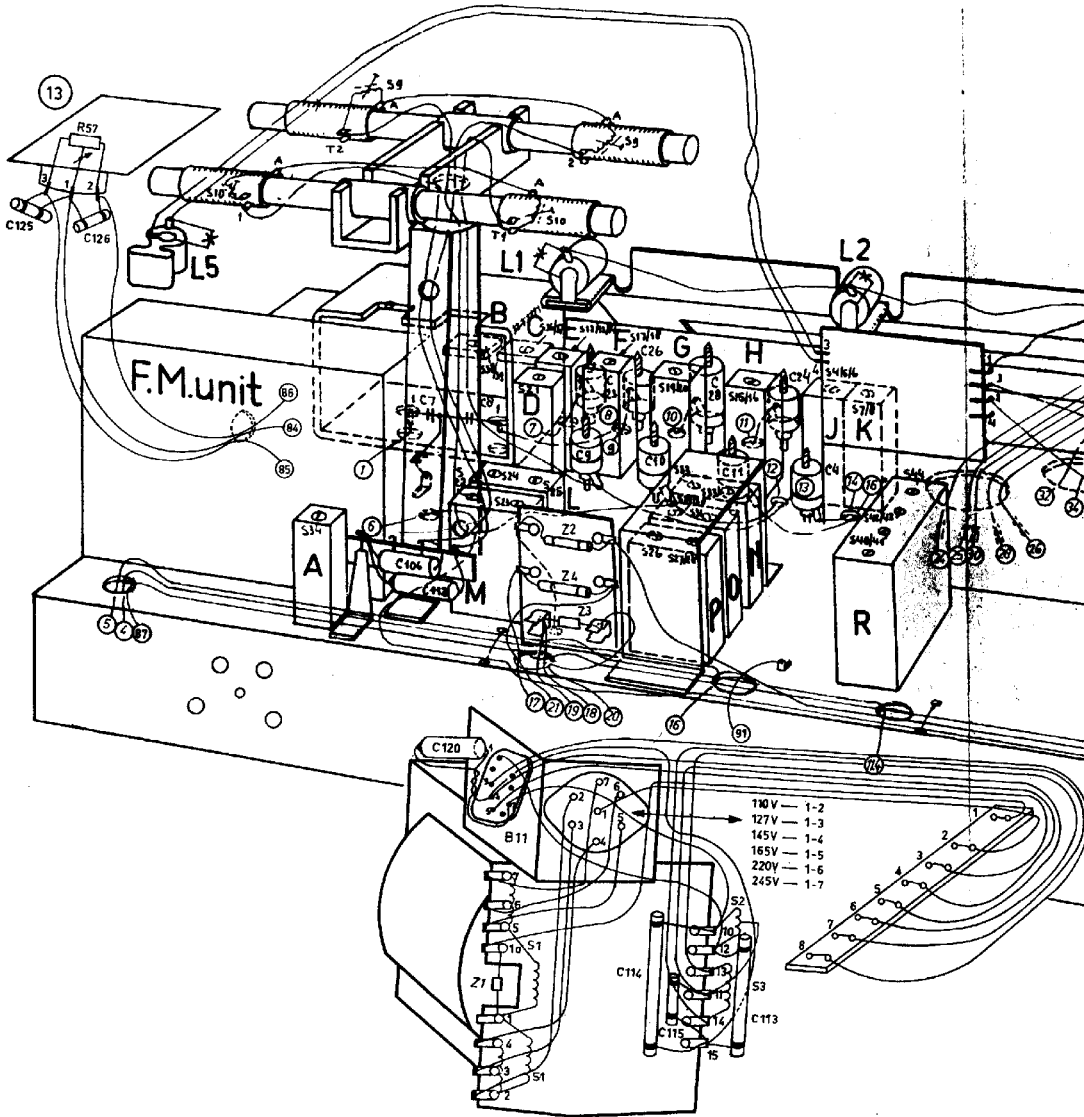
Serv-o-mecum E-a-1 E-a-2 E-a-3	Wave range Golflengte Gamme d'onde Wellenbereiche Margenes de ondas	Pointer at Wijzer op Aiguille à Zeiger an Aguja en	Signal Signal Signal Signal Señal	Trim Afregelen Régler Abgleichen Ajusteichen	Indioation Aanwijzing Indioation Anzeige Indicaci6n		
IF-MF-FI-ZF-FI (AM)	MW-MG-PO-MW-OM	1620 kc/s	452 kc/s - g1B2 via 33 kpf	S33, S32, S24, S25	Max. output		
		517 kc/s	452 kc/s	S34	Min. output		
RF RF RF (AM) RF RF RF	SW2-KG2-OC2-KW2-OC2	550 kc/s	6,25 Mo/s	S14, S37	Max. output		
	SW5-KG3-OC3-KW3-OC3		1,75 Mo/s	S16, S39			
	MW-MG-PO-MW-OM		550 kc/s	S18, S6			
	LW-LG-GO-LW-OL		156 kc/s	S20, S7			
	MW-MG-PO-MW-OM	1500 kc/s	380 kc/s	C28, C11			
	SW5-KG3-OC3-KW3-OC3		1500 kc/s	C26, C4			
	SW5-KG3-OC3-KW3-OC3		4,84 Mo/s	C24, C17			
	SW2-KG2-OC2-KW2-OC2		17,05 Mo/s	C23, C16			
	Repeat - Herhalen - Répéter - Wiederholen - Repitarse						
	MW-MG-PO-MW-OM	550 kc/s	550 kc/s	S10			
LW-LG-GO-LW-OL	156 kc/s		S9				
MW-MG-PO-MW-OM	1500 kc/s	380 kc/s	C10				
MW-MG-PO-MW-OM		1500 kc/s	C9				
IF MF FI (FM) ZF FI	FM FM FM UKW FM	87,5 Mo/s	2a)	S40	2)		
			3a)	S41	3)		
			4a)	S42	4)		
			5a)	S44	5)		
			6a)	S29/30 S28 g1B3 g1B2 S210, S21	S29/30 S31 S26, S27, 28 S22, S23 S210, S21	Max. D.V. 6)	
88 Mo/s	88 Mo/s	S208, C408, S209					
108 Mo/s	108 Mo/s	C417					
88 Mo/s	88 Mo/s	S208					
108 Mo/s	108 Mo/s	C417					
98 Mo/s	98 Mo/s	S207, C408					



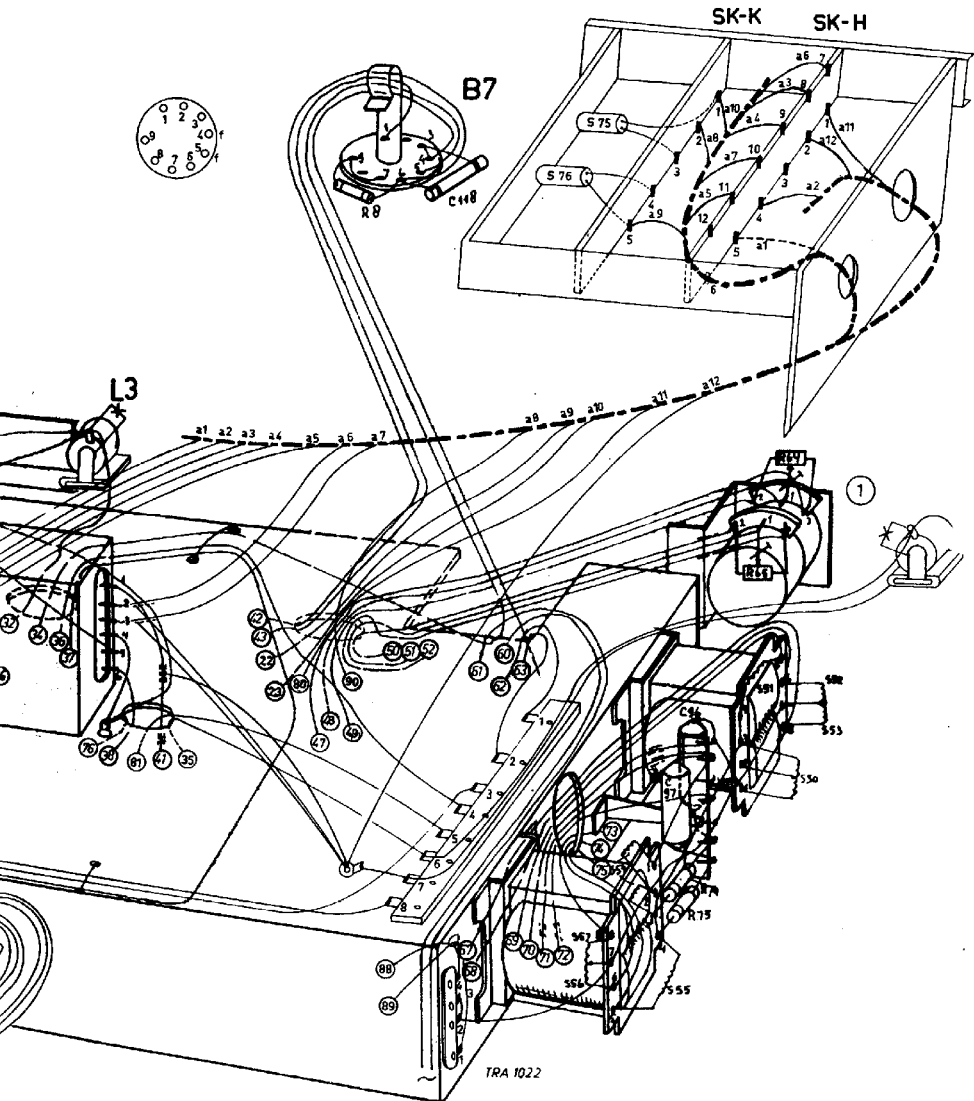
F6X32A/00/01/02/16/17/19/54/66

- 1) Unless stated otherwise, the signals are applied to the aerial socket via a normal dummy aerial.
- 2a) Apply an unmodulated signal of 10,7 Mc/s to g1B4 via 1500 pF.
- 2) Connect a diode voltmeter between junction R23, C53 and earth (in series with 100 k Ω).
Trim S40 for max. reading on the diode voltmeter.
- 3a) Apply an FM signal to g1B4 via 1500 pF (frequency 10,7 Mc/s - modulation frequency 400 c/s frequency sweep 15 kc/s).
- 3) Trim S44 for max. reading on the LF valve voltmeter.
- 4a) Apply an AM signal to g1B4 via 1500 pF (frequency 10,7 Mc/s - modulation frequency 400 c/s).
- 4) Trim S42, 43 for min. reading (0 V) on the LF valve voltmeter.
- 5a) Apply an FM signal to g1B4 (frequency 10,7 Mc/s - modulation frequency 400 c/s - frequency sweep 15 kc/s).
- 5) Trim S44 for max. reading on the LF valve voltmeter and for 0 V on the diode voltmeter.
- 6a) Apply an unmodulated signal of 10,7 Mc/s via 1500 pF.
- 6) Connect a diode voltmeter (D.V.) between junction R23, C53 and earth (in series with 100 k Ω).

S	58.A	10. 9. M. B.C.D.	E.L.F. I	G.H. P.O.N.	2.3. J.K.R.
C	125,126	7. 106. 8. 112. 120	9. 23.	26. 10.	28. 114. 11. 115. 24. 113. 4.
R	57				



1	2. 3.	76. 75. 57. 56. 54. 55.	59. 50. 51. 52. 53.
	114. 113. 118. 115.	97. 96.	
8.		74. 75.	65. 64.



PL-SECRET-ABATON

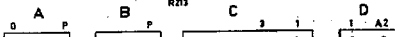
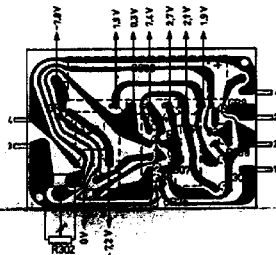
S101) S102)	A3 494 54	Filter coil	19 ko/s	S104) S104a) S105) S106)	IF-Filter	19 ko/s	C201,203,206,209 C202, 205 C204,207,210,212 C208 C211 C213,214 R213	4822 069 00544
		Filterspoel	19 ko/s		MF-Filter	19 ko/s		0 285 AB/D59CM
		Bobine de filtre	19 ko/s		Filtre FI	19 ko/s		509/M10
		Filterrapule	19 kHs		IF-Filter	19 kHs		4822 069 00545
S103)	A3 494 55	Bobine de filtre	19 ko/s	S107) S108) S109)	Filtro FI	19 ko/s	509/M125 C 285 AA/B1K WE 417 90	
		Filter coil	67 ko/s		Filter coil	38 ko/s		
		Filterspoel	67 ko/s		Filterspoel	38 ko/s		
		Bobine de filtre	67 ko/s		Bobine de filtre	38 ko/s		
		Filterrapule	67 kHs		Filterrapule	38 kHs		
		Bobine de filtre	67 ko/s		Bobine de filtre	38 ko/s		

PL-SECRET-INDICATOR

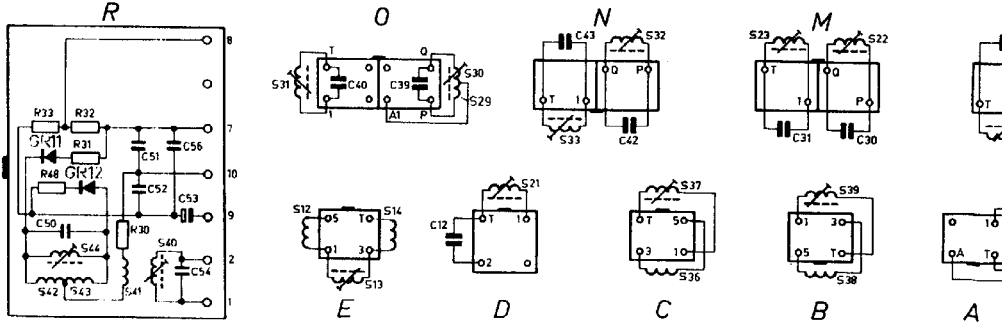
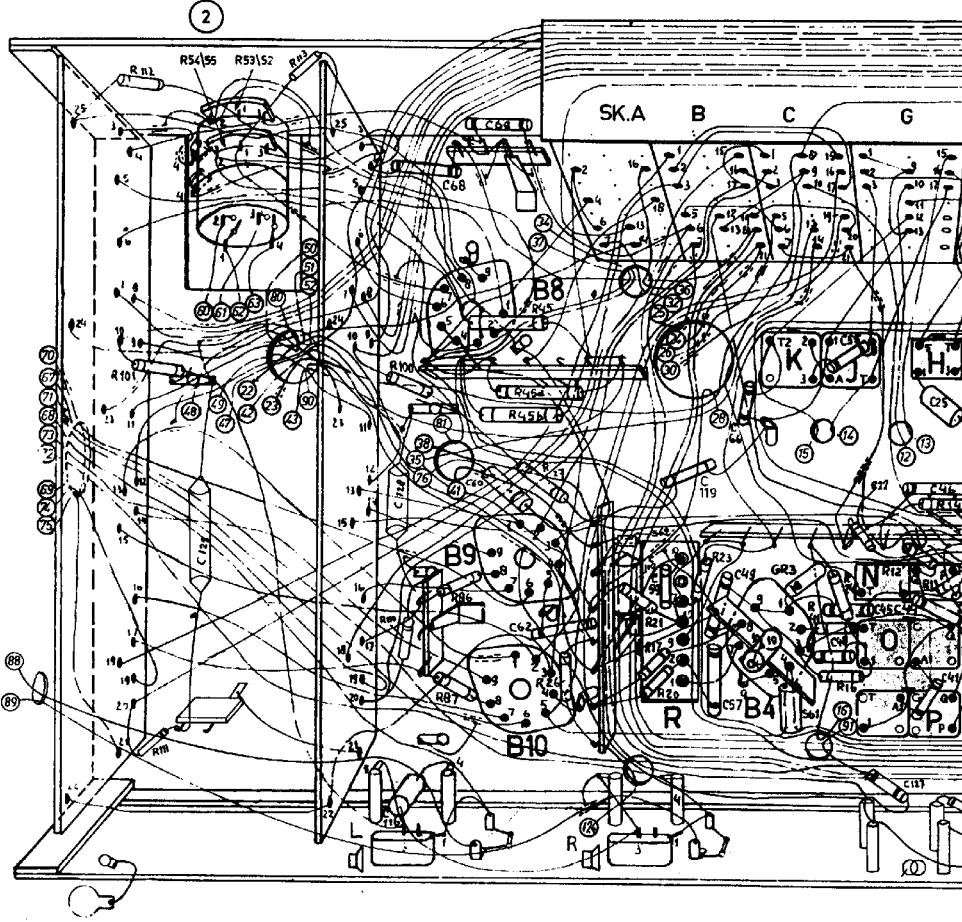
C301 909/M2,5 C302 909/U320 E302 B1 531 13 E303 E 203 BB/P1K5

S1	1P1,2P2,3P3	3P4	4P5, 5P6, 6P7, 7P8, 8P9
C	1P1,2P2, 3P3,4P4, 5P5, 6P6, 7P7, 8P8, 9P9	10P, 20P, 30P	40P, 50P
R	1P1, 2P2, 3P3, 4P4, 5P5, 6P6, 7P7, 8P8, 9P9, 10P, 20P, 30P, 40P, 50P		

C	302	301
R	302, 303, 304, 306, 307, 308, 308, 305	

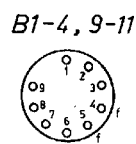
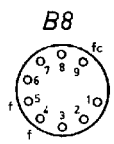
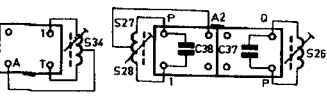
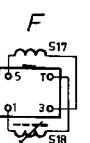
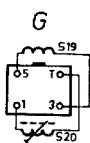
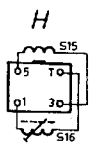
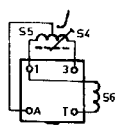
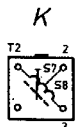
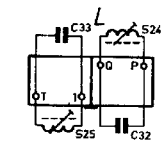
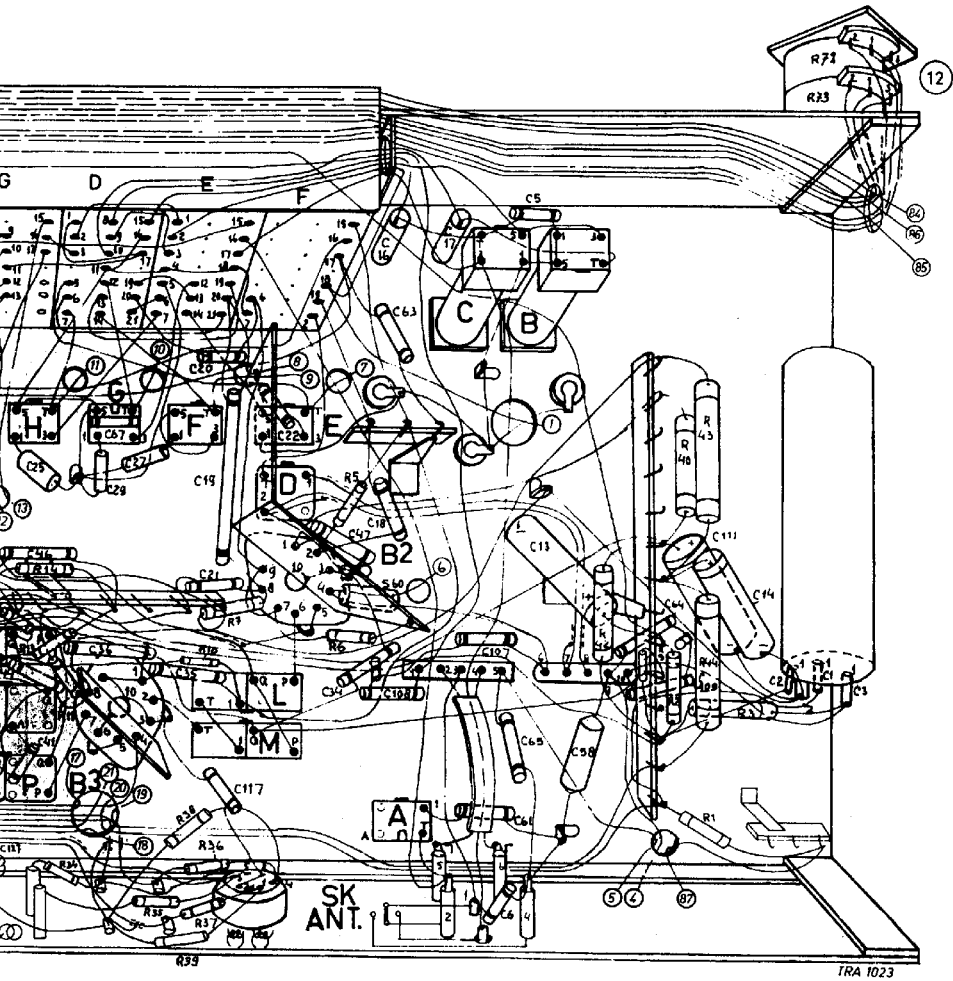


S					10	51.K.	J.	N.O.P.H.
C	129	128. 116. 68.	60.69.	52.	59.	119.49.57. 66.	48.45. 55.	127.46.41.44.
R	112. 101. 111.	52.53.54.55. 113.	110. 100. 86.87.	45.45a.45b.2726.	21.20.17.	23.	16.41.24.	22 12. 14.13.



02/16/17/19/54/66

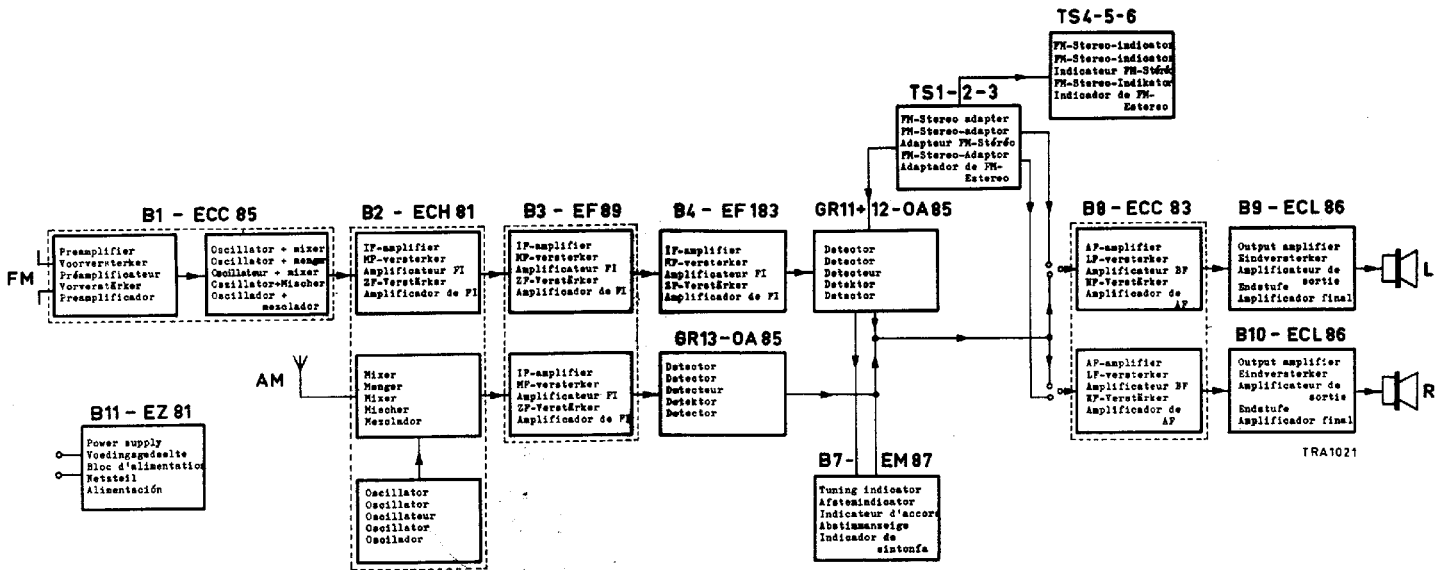
D.P. H.	G.	F.	L. M. E. D.	60.	A.	C.	B.
27.45.41.44.25.	36.29.67.27.	35.	21.20.19.117. 22.	47.34.16.63.18.108.	17.	61.107.6.65.5.	13.58.
64.109.111.4.	2.1.3.						
12. 14.13.36.35.11.	10.38.39.36.37.7.			6.5.		42.	9. 2.40.43.44. 3.1.
							72.73.



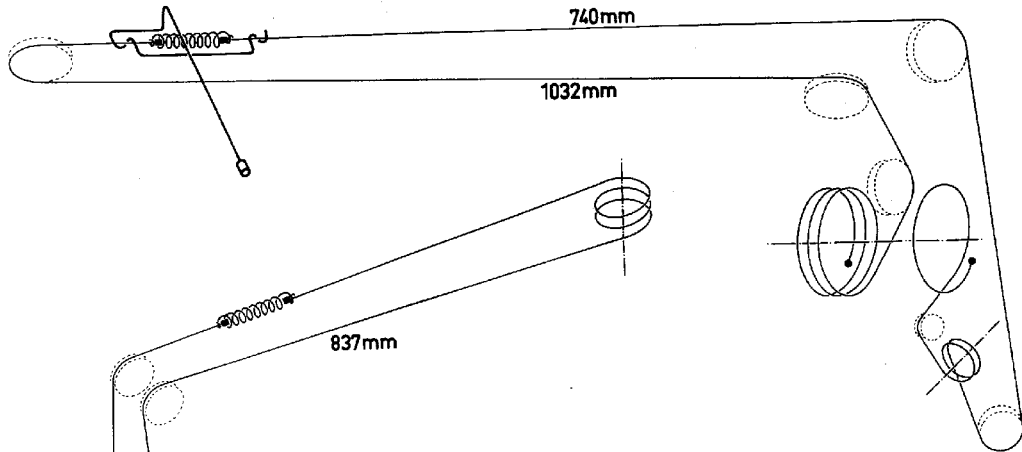
A

P

B1-4, 9-11



AM



FERROCEPTOR

FM

